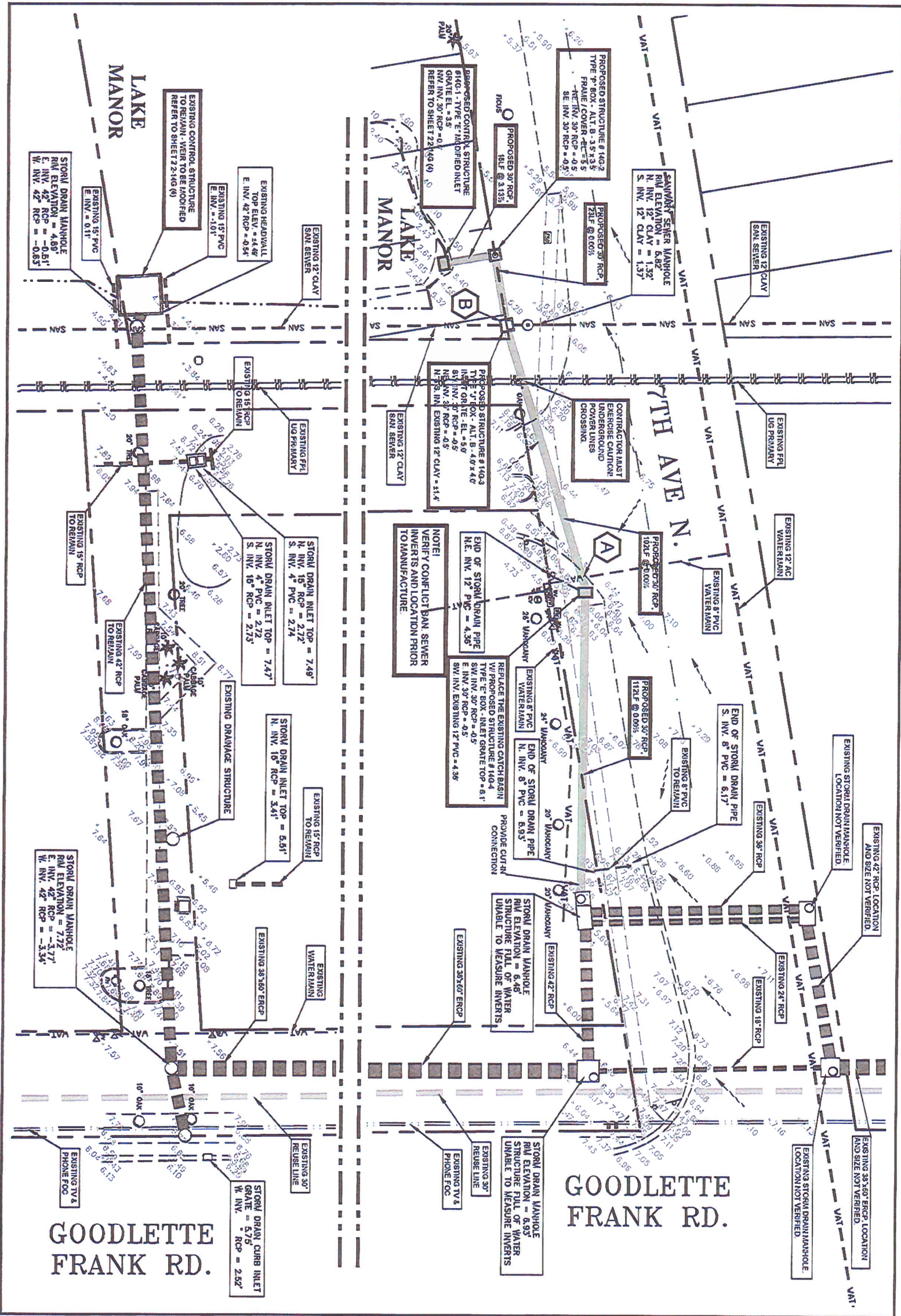


GRAPHIC SCALE IN FEET
ZONE F
 IMPROVEMENT I.D.# 14G

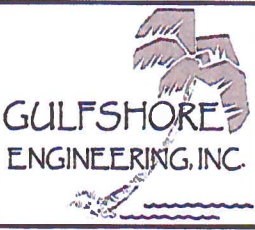


REVISIONS	
NO.	DESCRIPTION

SHEET TITLE:
STORM DRAIN & PIPE PLAN

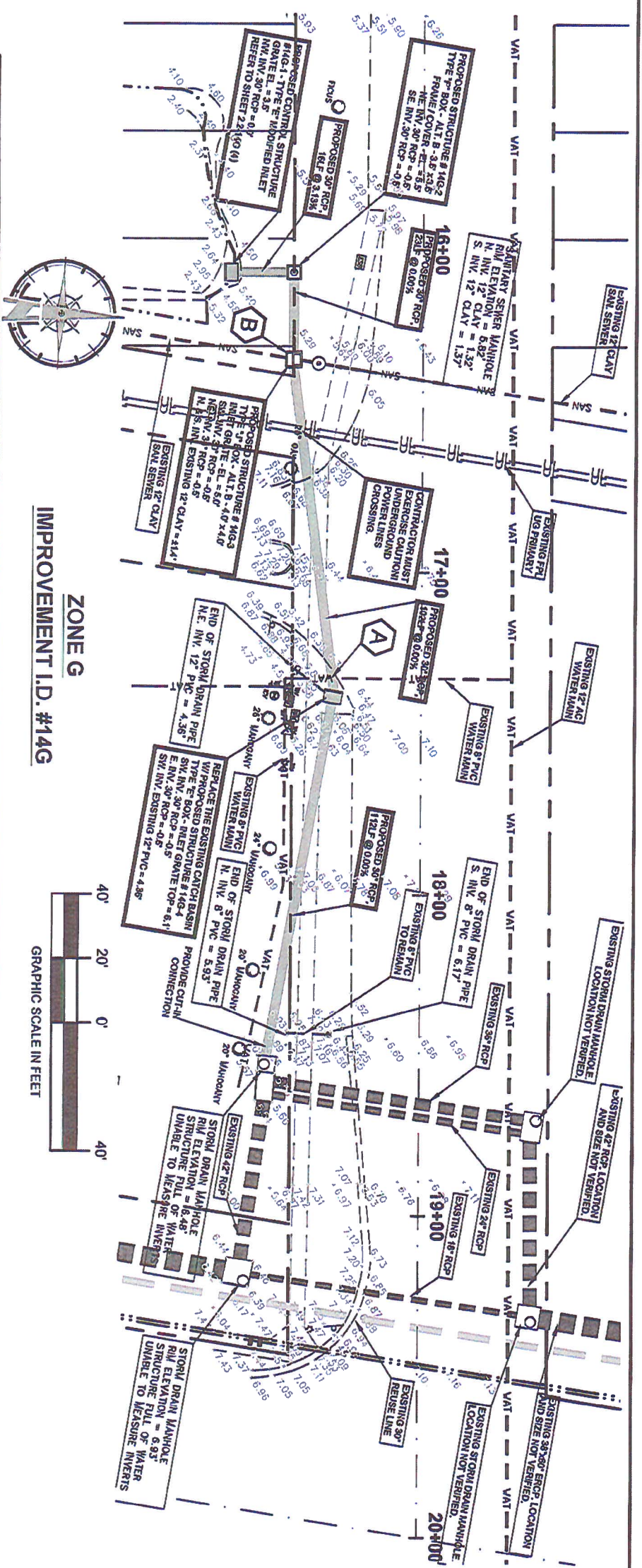
PLANSET TITLE:
CONSTRUCTION PLANS

PROJECT NAME:
**BASIN V STORMWATER
 MANAGEMENT DRAINAGE
 IMPROVEMENTS**



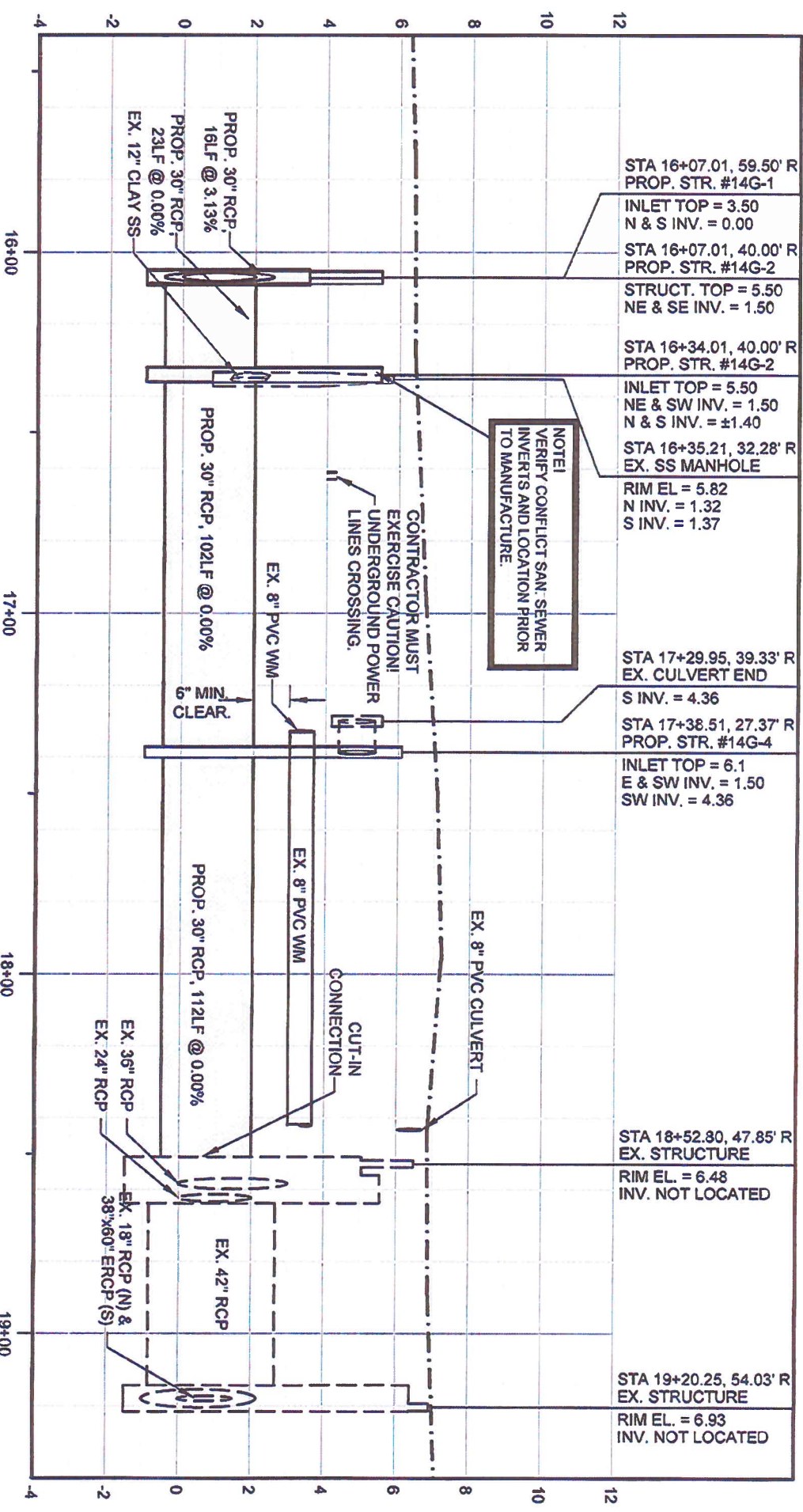
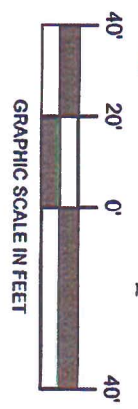
CERTIFICATE OF AUTHORIZATION: 26213

2375 Tamiami Trail N.,
 Suite 207
 Naples, FL 34103
 TEL. No: (239) 261-2290
 Fax No: (239) 261-6530



IMPROVEMENT I.D. #14G

ZONE G



NOTE!
VERIFY CONFLICT SAN-SEWER
INVERTS AND LOCATION PRIOR
TO MANUFACTURE.

CONTRACTOR MUST
EXERCISE CAUTION!
UNDERGROUND POWER
LINES CROSSING.

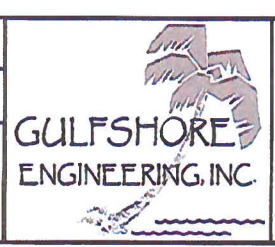
CUT-IN
CONNECTION

REVISIONS		DATE:
NO.	DESCRIPTION:	
1		
2		
3		
4		
5		
6		
7		
8		
9		
10		
11		
12		

SHEET TITLE: **PLAN & PROFILE**

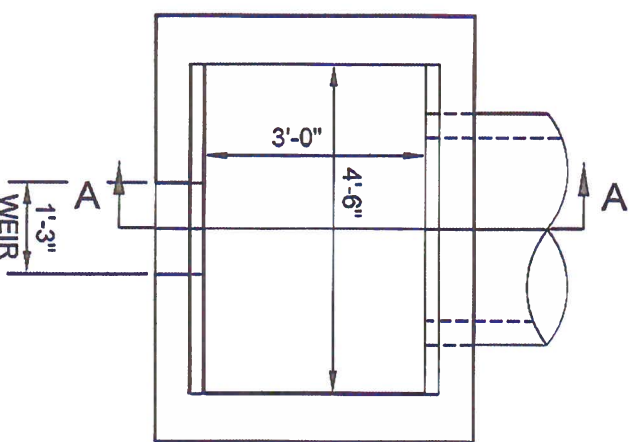
PLANSET TITLE: **CONSTRUCTION PLANS**

PROJECT NAME: **BASIN V
STORMWATER MANAGEMENT
DRAINAGE IMPROVEMENTS**

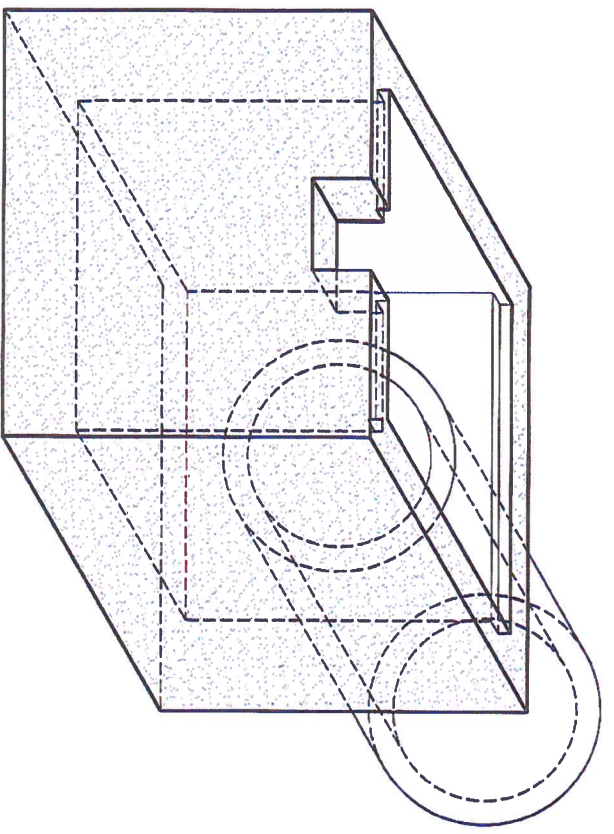


CERTIFICATE OF AUTHORIZATION: 26213

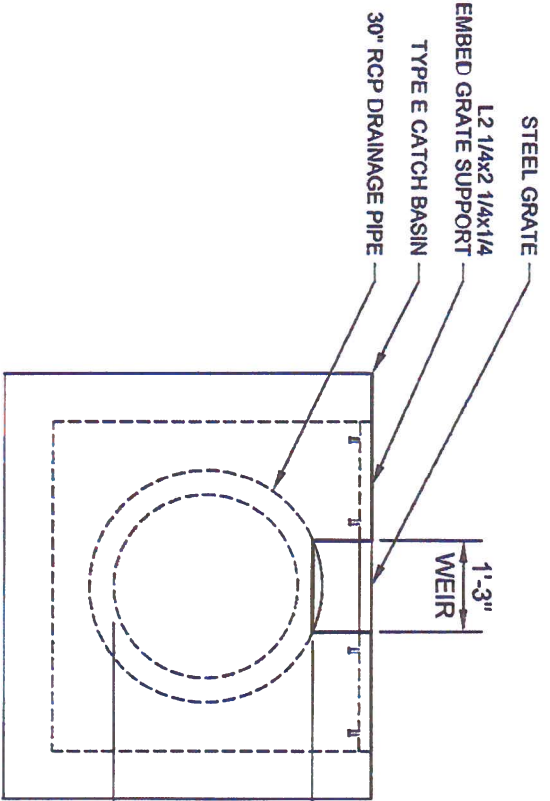
2375 Tamiami Trail N., Suite 207
Naples, FL 34103
TEL No: (239) 261-2290
Fax No: (239) 261-6530



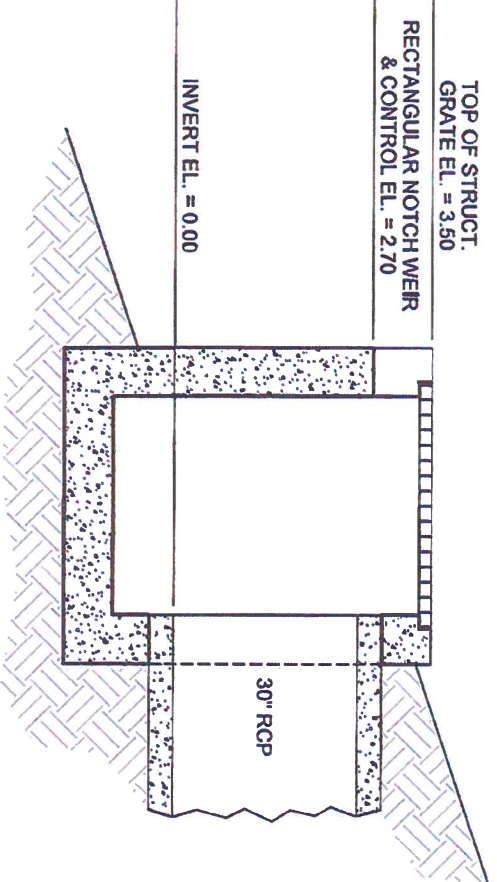
PLAN VIEW



ISOMETRIC
(GRATE NOT SHOWN)

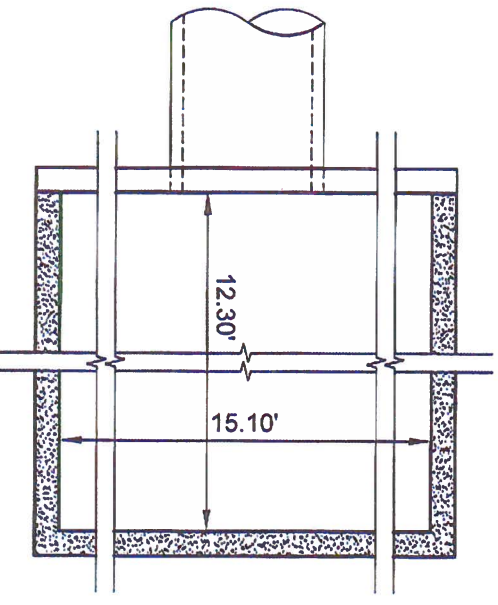


ELEVATION

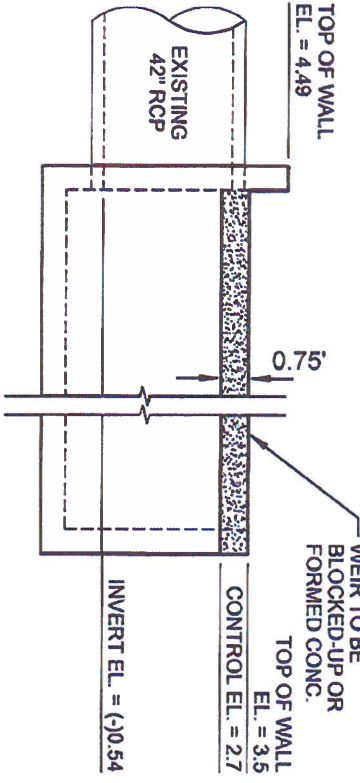


SECTION A - A

CONTROL STRUCTURE #14G-1
 NOT TO SCALE
 (MODIFIED TYPE E STRUCTURE - REF. FDOT INDEX #232)



PLAN VIEW



ELEVATION

**EXISTING CONTROL STRUCTURE
 TO BE MODIFIED AND REMAIN**
 NOT TO SCALE

REVISIONS NO. DESCRIPTION DATE 1. J.M.L.		SHEET TITLE: CONTROL STRUCTURE DETAIL PLANSET TITLE: CONSTRUCTION PLANS PROJECT NAME: BASIN V STORMWATER MANAGEMENT DRAINAGE IMPROVEMENTS		CERTIFICATE OF AUTHORIZATION: 26213 2375 Tamiami Trail N., Suite 207 Naples, FL 34103 TEL No: (239) 261-2290 Fax No: (239) 261-6530
DESIGN: J.M.L. DRAWN: C.M. SCALE-HORIZ.: AS SHOWN SCALE-VERT.: AS SHOWN G&E PROJECT NO.: 253 SHEET NO.: 2.2-14G (4)				